

·GH·  
MOTION

Lifting  
your  
world.



·GH·  
CRANES & COMPONENTS

# ·GH· MOTION

# Marine Solutions



Boat hoists



Marine jib cranes



Dry docks

## LIFTING AND MOBILITY SOLUTIONS WITH MAXIMUM RELIABILITY

At GH we seek a balance that allows you to provide the best service to your customers while being as profitable as possible.

We accompany you in the design of your machine, providing flexible and customised solutions, creating robust constructions to increase productivity and maximise the safety of your operators.

We also have maintenance plans according to your needs and we minimise production stoppages.

And we have an international customer service network with a large stock of spare parts.



### PROXIMITY

To offer the best possible service, we think it's important to be close to our customers, to the realities and the needs of their business.



### QUALITY

We are committed to providing quality and innovative technological solutions.



### PERSONAL APPROACH

We are a team of individuals committed to offering our customers the best quality and service.





# Industrial Solutions



Rubber tyre gantries



Industrial jib cranes



# Marine Solutions

## DELIVERING EFFICIENCY. WE UNDERSTAND YOUR BUSINESS.

We focus on delivering **efficiency** in the operation of your marina/shipyard. We design customised machines to achieve this.

The lifting applications that we offer for the marine sector provide the operability and safety that today's marinas, boatyards and shipyards need, allowing available resources to be maximised.



## BOAT HOISTS



Our machines have all the features to keep the right balance between providing the best service for your customers and being as profitable as possible.

### **FLEXIBLE, FAST AND MANOEVRABLE**

Designed to optimise movements and manoeuvres and get the most out of your boatyard.

### **RESISTANT, ROBUST AND RELIABLE**

They maintain the same productivity levels over years of service in the demanding conditions of marine environments.

### **SAFE**

Equipped with all safety components, solid tires, emergency stop buttons on all legs, remote control reset button, overload protection and CE certificate.

### **CUSTOM**

Ready for demanding marine environments: Custom dimensions, anti-corrosion paint, climate control components, adaptable slings, and optional amphibious gantry cranes.

## OPTIONAL

- JIB CRANES
  - GH. Cap: 2t - Jib: 5m
  - COMMERCIAL (request details)
- REMOTE CONTROL WITH WEIGHT DISPLAY
- CABIN
- EXTRA HEIGHT
- SPLIT SLINGS
- PROTECTION AGAINST COLLISIONS WITH BOATS
- REMOTE CONNECTION WITH SPECIALIST
- AMPHIBIOUS





RECOMMENDED BOAT Length (L) / Beam (B) in metres

LIGHTWEIGHT MODELS					INTERMEDIATE MODELS				HEAVYWEIGHT MODELS																
GH25 22t		GH35 32t		GH50 45t		GH70 64t		GH82 75t		GH110 100t		GH165 150t		GH220 200t		GH275 250t		GH330 300t		GH440 400t		GH500 450t		GH550 500t	
L	B	L	B	L	B	L	B	L	B	L	B	L	B	L	B	L	B	L	B	L	B	L	B	L	B
16	4.9	18	5.3	20	5.8	22	6.1	26	6.9	30	7.4	37	7.9	40	8.5	48	8.5	52	9.6	60	10	64	10.5	68	11

## TYPES OF ROTATION

Below we show the four steering modes we provide for our marine solutions.



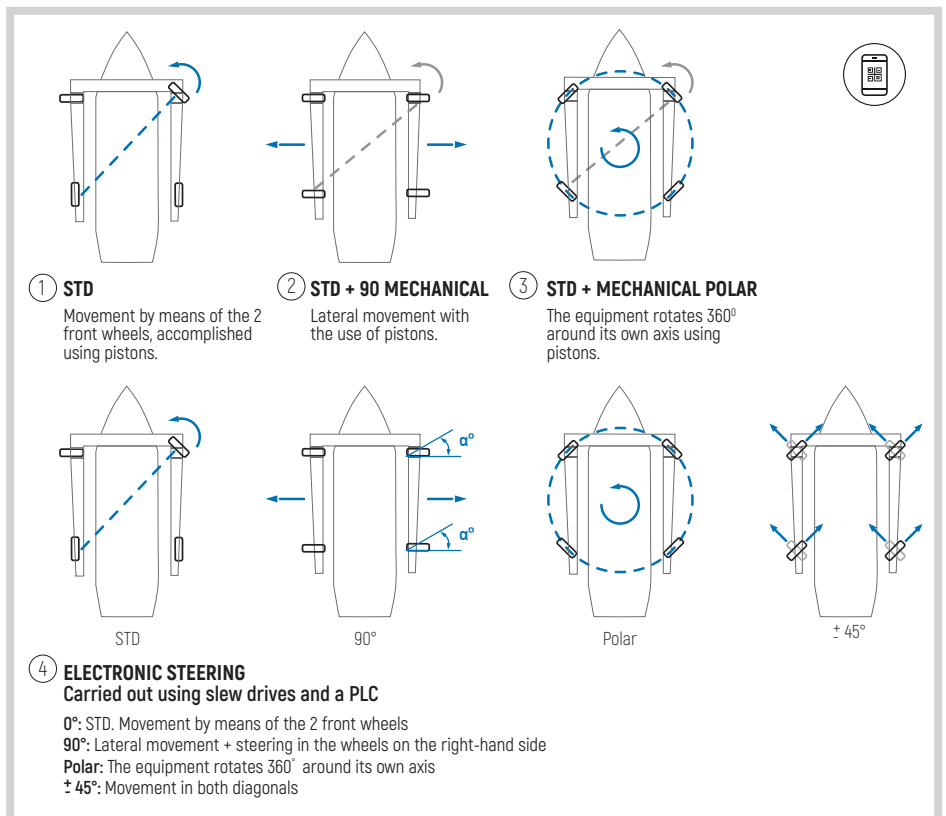
Download the app to get the full Augmented Reality experience. To activate it, please make sure your phone's camera points at the area within the grey rectangle.



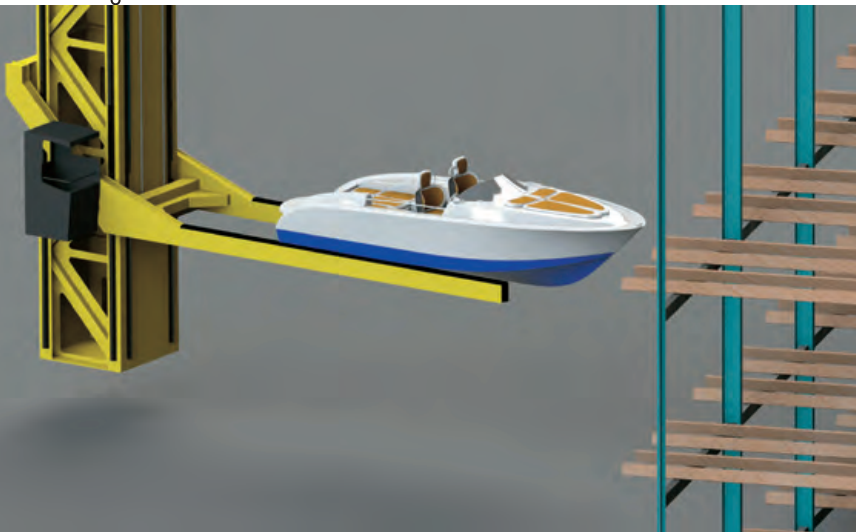
Android



iOS



ROOF-MOUNTED SUPPORT



AUTOMATED



## DRY DOCKS

THE SIMPLEST SOLUTION TO INCREASE YOUR BOATYARD CAPACITY AND IMPROVE SERVICE.

All of our designs are adapted to the specific needs of each of our customers. Just tell us if you prefer it fully automated, semi-automatic or manual.

**Making best use of the boatyard space**, we adapt the solution to the needs of the customer.

**Assessment and advice on dry dock construction** in order to find the most suitable solution together with you.

**Fast boat delivery** so that they are available in a few minutes.

**Dry storage of boats** for better conservation and safety.

### BASIC CAPABILITIES



LIFTING CAPACITY:  
**2.5 t - 12 t**



LENGTH:  
**UP TO 15 m.**



HEIGHT:  
**UP TO 6 LEVELS** (25 m)

## VERTICAL EFFICIENCY





## FLOOR-MOUNTED SUPPORT



# MARINE JIB CRANES

THE PERFECT SOLUTION FOR LIFTING LIGHT LOADS EASILY, PROFITABLY AND SAFELY.

**CUSTOM AND QUICK INSTALLATION** Two types: STD and specific version for hoisting sailing boats. Six models of different sizes depending on the load, reach and height requirements.

**AGILITY AND HIGH PERFORMANCE** with an electronic rotation of 360° and variable speed drive in all movements.

**ROBUSTNESS AND HIGH DURABILITY** with components specially designed for marine environments: anti-corrosion protection, electric galvanised wire rope hoist with special lays to maximise useful life.

## BASIC CAPABILITIES



LIFTING CAPACITY:  
**2.5 t - 20 t**



REACH:  
**UP TO 10 m.**



HEIGHT:  
**UP TO 15 m.**



ROTATION: **360°**

# Industrial Solutions

## A FUNDAMENTAL ALLY FOR YOUR BUSINESS

Our goal is to simplify the autonomous and effective movement of loads in multiple sectors and applications in open areas. With the most reliable and highest quality customised solutions which maintain the value of resources throughout the entire life cycle of the equipment.

The design and manufacture of our lifting solutions is geared towards enhancing operator productivity, safety and the useful life of your machines.



## RUBBER TYRE GANTRIES



Designed and manufactured to guarantee maximum production in a large number of sectors.

**RESISTANT, ROBUST AND RELIABLE** They adapt to production flows and changes in processes of lifting and moving loads to make these safe, easy and profitable tasks.

**SAFETY AND ERGONOMICS GUARANTEED** with remote control with weighing display, solid tyres avoiding punctures and blowouts, stop push-button and remote control reset push-button.

**LOW CONSUMPTION** with diesel engines with state-of-the-art acceleration complying with regulations and LED lights.





**LIGHTWEIGHT MODELS**

GH-10i	GH-25i	GH-30i / 35i	GH-55i
10t	22t	25t / 32t	50t

**INTERMEDIATE MODELS**

GH-70i	GH-82i	GH-88i
64t	75t	80t

**HEAVYWEIGHT MODELS**

GH-110i	GH-140i	GH-165i	GH-220i	GH-260i
100t	125t	150t	200t	235t

**TYPES OF ROTATION**

Below we show the four types of rotation we offer for our industrial solutions.



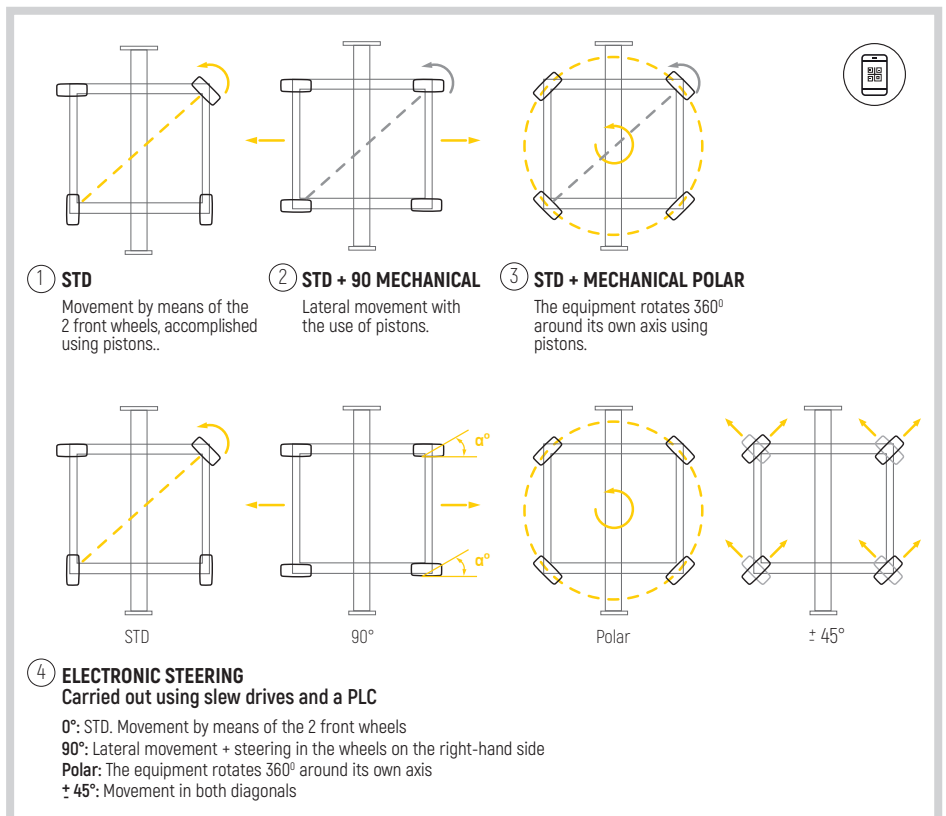
Download the app to get the full Augmented Reality experience. To activate it, please make sure your phone's camera points at the area within the grey rectangle.



Android



iOS



# SINGLE GIRDER

**AVAILABLE SPREADERS:**

- LONGITUDINAL SPREADER
- TRANSVERSE SPREADER
- CLAMP



# DOUBLE GIRDER

**AVAILABLE SPREADERS:**

- 8 LIFTING POINTS EQUALIZING SPREADER FOR PRECASTS
- MAGNET BEAM
- MULTI-HOOK
- TELESCOPIC
- MULTI-POSITION
- MULTIPLE CLAMP



# U-SHAPED

**AVAILABLE SPREADERS:**

- SLINGS
- LATERAL ROCKERS
- UPPER ROCKER





# INDUSTRIAL JIB CRANES

AN ESSENTIAL ALLY TO  
MULTIPLY YOUR PRODUCTION  
CAPACITY AND FACILITATE  
DAY-TO-DAY TASKS.

Designed to adapt to the specific  
lifting needs of each of our  
customers and their businesses.

## TAILORED FOR YOU

Six models sized according to your lifting and  
reach requirements.

## PROFITABILITY AND PRECISION

- Infinite 360° electronic rotation.
- Double lifting and transfer speed for gentle,  
precise movement.
- Variable speed drive for all movements.

## RELIABLE DESIGN AND SOLID CONSTRUCTION

- Easy operation with a single button.
- Fast, direct access for effective  
maintenance.
- Safety and manageability with the load  
limiter.



## BASIC CAPABILITIES



LIFTING CAPACITY:  
**2.5 t - 20 t**



REACH:  
**UP TO 10 m.**



HEIGHT:  
**UP TO 15 m.**



ROTATION: **360°**

# Innovation and the future

## **COMMITTED TO THE FUTURE**

The lines of research in environmental sustainability, the monitoring of the machine to make it smart and the application of "industry 4.0" concepts to these processes, in addition to the use of the most advanced communication technologies, connect us with the future, to which we are firmly committed, in a tireless effort to add value to the profit and loss account of all our customers.

Ad hoc developments

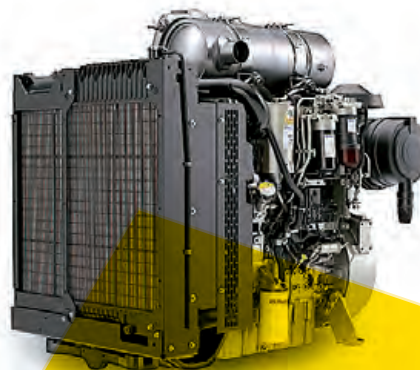
# 4.0



## **COMMITTED TO SUSTAINABILITY**

Our R&D strategy and our clear commitment to being a comprehensive manufacturer has led us to incorporate elements into our products that favour environmental sustainability and respect for energy efficiency standards, without detriment to our effectiveness and ability to provide added value to all of our customers.

The recovery of energy to be reused and the new ways of operating our products based on clean energy put us at the forefront in terms of our commitment to sustainability.



Emissions according to each country's regulations

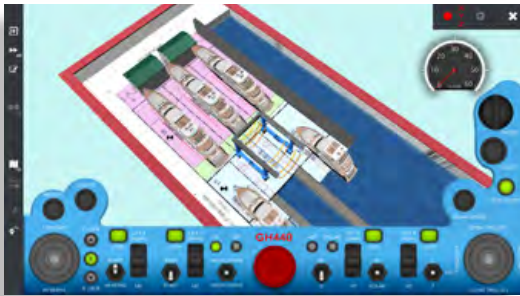




my**GH**motion

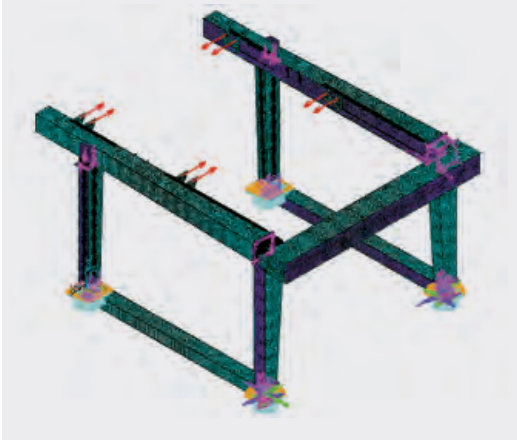
**1**

**Scaled representation** of our customers' options for working with our machines.



**2**

**Tools for calculating structures** using the finite element method.



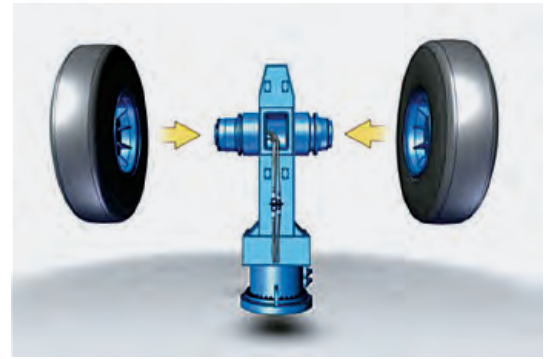
**3**



**Metrology laboratory:** for the dimensional control of parts.

**Real-time monitoring** of the status of the manufacturing process.

**Lasertracker.** Dimensional control of the cranes.



**4**

Once we have put **the crane into service.**



With the **"Service Mobile" app** we manage preventive and corrective maintenance activities.



**Customer Portal.** A platform with comprehensive, up-to-date information about the crane accessible by GH and the customer.



**Remote monitoring** of the crane's operational data in real time. Making predictive and corrective maintenance more effective.

## COMMITTED TO THE EFFICIENCY OF THE CUSTOMER'S COMPREHENSIVE MANAGEMENT

From the moment the quote is generated, the customer becomes an essential partner in our entire process.

Through a real-life simulation program designed exclusively by GH MOTION, the customer has a clear vision of their machine installed in its real location, which shows all its operational capabilities, obstacles that prevent efficiency and aspects that optimise its installation.






e·MOTION

# **FULL-ELECTRIC** **SERIES**

**NO EMISSIONS. NO LEAKS.**

GH presents its jump into clean energy for its automotive RTGs by introducing GH70e, a full electric boat hoist with 65t capacity. A high performance ion-lithium battery pack with 10 years warranty secures a complete working day autonomy and its fast charger eases its recharge. GH works towards sustainability by incorporating an autonomous solar panel system that enhances machine's performance by adding up to 20% of the daily required energy.

Variable span makes efficient different width boats positioning in your marina and electronic steering offers complete versatility in displacements.



65t Industrial version will be the next, being telescopic in height: clean energy for machines that are intended to be entering in workshops.

GH vision is consistent:  
**FULL-ELECTRIC SERIES are here to stay.**





# GH Group

## HISTORY

GH CRANES & COMPONENTS is a family business with more than 60 years of experience in the market, having become one of the world leaders in the lifting sector (hoists, bridge cranes, boat hoists, transfer carts) which operates around the world with more than 850 employees. The headquarters are in Spain, and the company has 10 industrial plants distributed throughout the world in the markets considered to be of greatest strategic importance.

In parallel to its main business, GH has developed a business based on the cranes that the company manufactures to guide the customer throughout the cycle of sales and after-sales support.

**5** BUSINESS UNITS



**STANDARD CRANE**



**SPECIAL SOLUTIONS**



**COMPREHENSIVE MANUFACTURERS OF COMPONENTS AND MECHANISMS**



**GH MOTION MOBILE SYSTEMS**



**GLOBAL SERVICE**

**115,000+**  
**CRANES SOLD**  
**WORLDWIDE**

**MORE THAN 60 YEARS IN THE LIFTING MARKET MEAN THAT EXPERIENCE IS OUR GREATEST ASSET.**



**319**  
MANUFACTURING

**233**  
TECHNICAL SUPPORT

**76**  
OTHERS

**70**  
ENGINEERING AND QUALITY

**102**  
SALES



**850** EMPLOYEES AROUND THE WORLD



**10 MANUFACTURING PLANTS** IN THE STRATEGIC MARKETS



**DIRECT PRESENCE** WITH OUR OWN COMMERCIAL SUBSIDIARY IN 15 COUNTRIES



COMMERCIAL PRESENCE IN MORE THAN **70 COUNTRIES** WITH OUR LOCAL PARTNERS

IN THE **TOP 5**

OF CRANE MANUFACTURERS WORLDWIDE

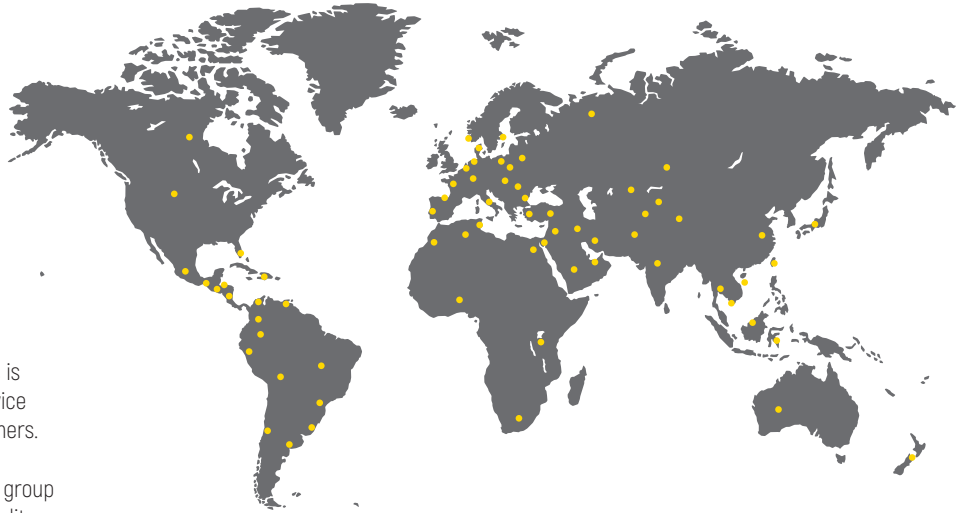


WE ARE **MARKET LEADERS** IN PORTUGAL AND SPAIN



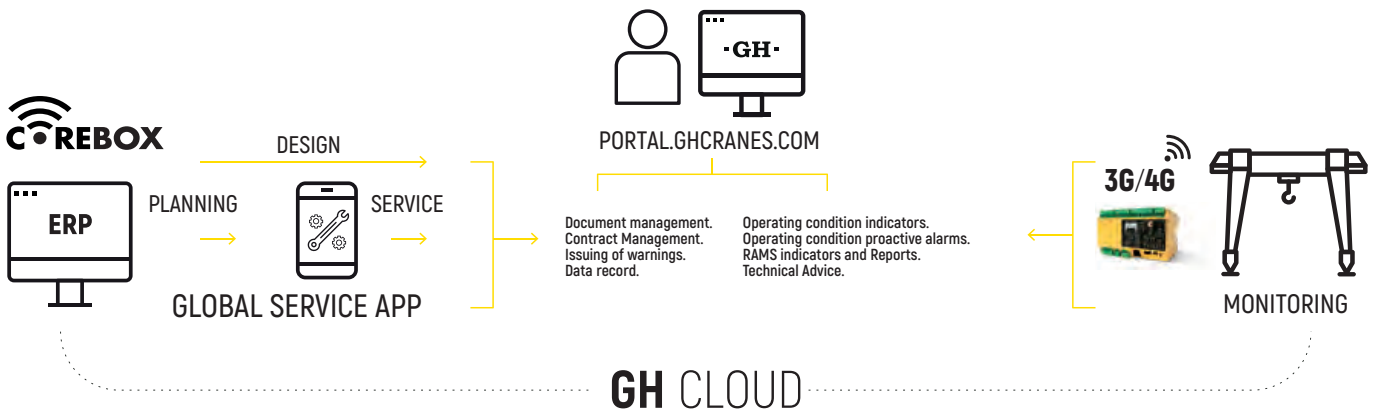
# Locally based service

## SERVICE ANYWHERE IN THE WORLD



Our capacity as comprehensive manufacturers of all our products has positioned us as leaders. This is complemented by the development of a wide service network to respond to all the needs of our customers.

GH CRANES & COMPONENTS therefore has a large group of professionals prepared to attend to any eventuality anywhere in the world.



## QUALIFIED PROFESSIONALS

An outstanding team of staff with many years of experience in a multitude of sectors make our projects possible. Our service is a consequence of the commitment made to our customers, for whom we aim to minimise downtime by acting before problems occur with preventive and predictive maintenance, using the latest technology 4.0 to do this.





[www.motion.ghcranes.com](http://www.motion.ghcranes.com)

**- GH -**  
CRANES & COMPONENTS