

# GH

CRANES & COMPONENTS

WWW.GHCRANES.COM



BEASAIN

CENTRAL OFFICES  
TECHNICAL OFFICE



ALSASUA

CENTRAL OFFICES  
MACHINIG WORKSHOP



BAKAIKOA

CENTRAL OFFICES  
MACHINIG WORKSHOP

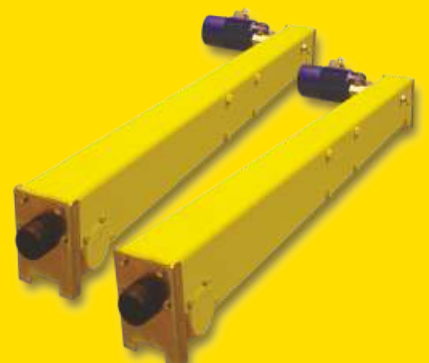
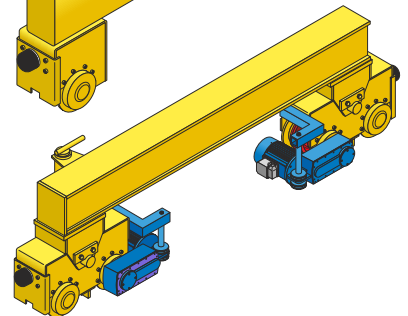
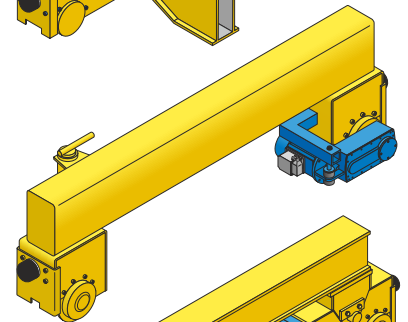
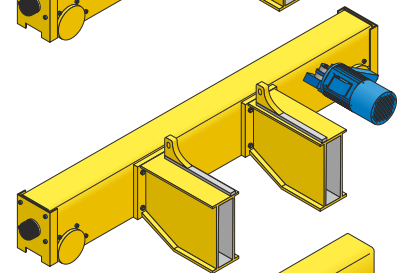
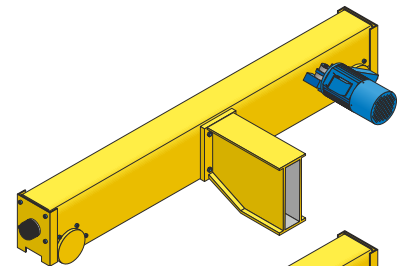
More than 100,000 hoists installed vouch for our experience

GH started out in 1956, as a manufacturer of lifting components. We now operate in over 60 countries, installing our products and providing solutions for practi-cally all sectors.

What do you want from a new machine?



- Safety +
- Reliability +
- Performance +
- Durability +
- Maintenance -





TECHNICAL  
ASSISTANCE  
SERVICE,  
MAINTENANCE  
AND ORIGINAL  
SPARE PARTS



**•GH•**  
CRANES & COMPONENTS

TEL.: +34 943 805 660  
FAX: +34 943 888 721  
E-MAIL: [GHSA@GHSA.COM](mailto:GHSA@GHSA.COM)  
APDO. 27 - Bº SALBATORE  
20200 BEASAIN (GIPUZKOA)  
SPAIN

[WWW.GHCRANES.COM](http://WWW.GHCRANES.COM)